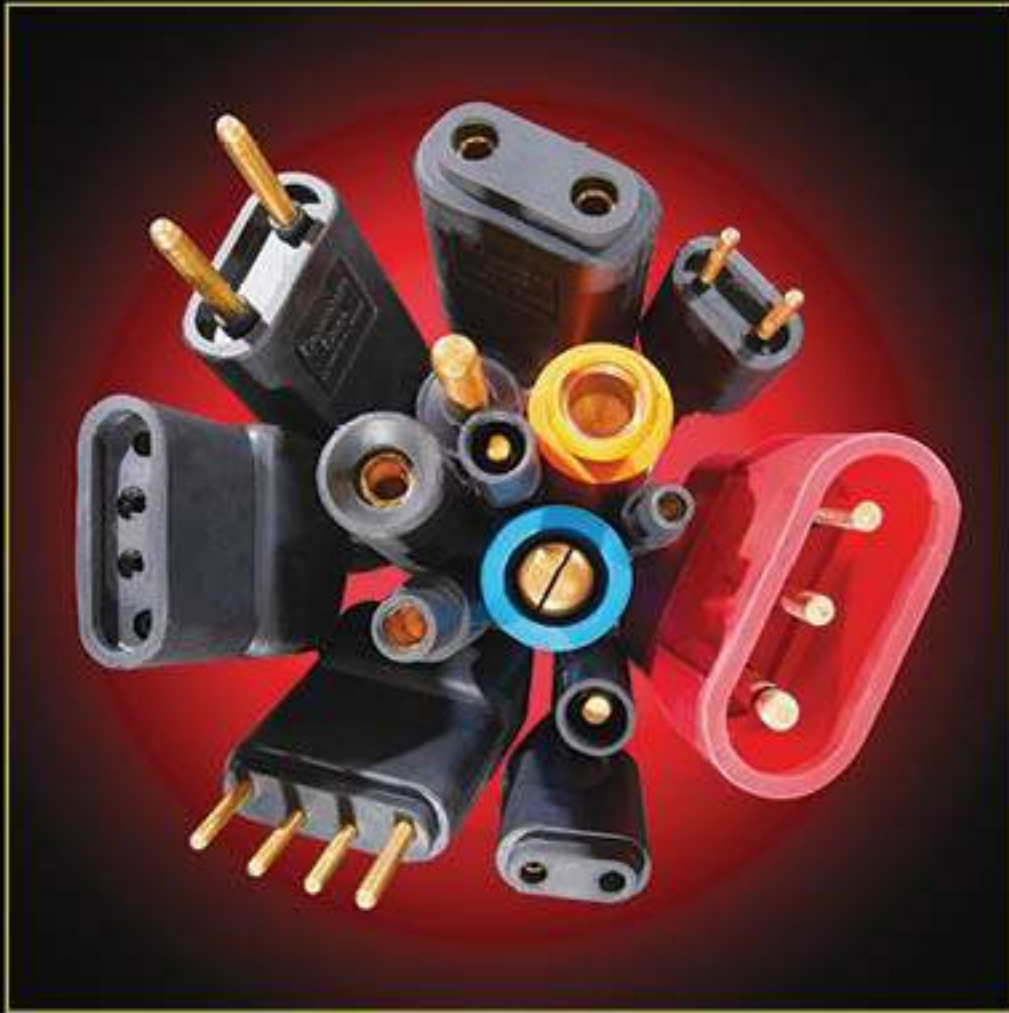




[Click Here for Quote!](#)



CONNO-MAXX
CONNOMAC CORPORATION



[Click Here for Quote!](#)



Connomac: Home of "RUGGEDIZED™" Custom Molded Electrical Connectors

Connomac Corporation was established in 1975 and has since been providing the highest quality of rubber-molded electrical connectors, temporary lighting and power cords, in the industry. We strive for excellence by manufacturing rubber-molded products that are reliable, rugged and safe in harsh industrial and construction environments. Made in the U.S.A. for over 40 years, Connomac products have delivered the highest quality and customer satisfaction!

Connomac Products

- Nearly indestructible in harsh industrial or construction environments
- Made from ruggedized molded-rubber for dependability and safety
- Corrosion, weather, water and flame resistant
- Require NO ASSEMBLY on the job and have no exposed metal parts
- Available in miniature, heavy-duty and gear mount versions
- Available custom designed and manufactured to meet your electrical needs
- Made in the U.S.A. to the highest quality standards





[Click Here for Quote!](#)

What We Mean By "Ruggedized"

When you "Connect with Connomac" you can count on connectors and cords that are truly RUGGEDIZED.

To provide reliable and safe service in the harshest conditions; Connomac manufactures rubber-molded products that are reliable, safe and rugged in harsh industrial and construction environments. Most of the connectors sold by our competitors require assembly on the job, cannot withstand the wear and tear of a harsh industrial or construction environment and will not be safe and reliable over the long haul. Connomac uses the highest quality materials combined with the top-notch design, engineering and manufacturing processes, which results in RUGGEDIZED quality and value, which is unsurpassed in the industry.



Connomac RUGGEDIZED connectors and cords allow for portability while keeping your electrical infrastructure reliable, safe, tough and durable. Wet or dry, hot or cold, Connomac's RUGGEDIZED quality will give you the best value and service. Drop, Stomp, Beat, Flex or try to Crush them . . . and the current will continue to flow!

Industries Served

Our products are used internationally in a wide variety of industries including:

- Tunneling
- Dewatering
- Railways
- General Construction
- Scrapyards / Metal Recycling
- Steel Mills
- Packaging
- Stage Lighting / Entertainment
- Temporary Power

Contact Us

Have a unique need? Connomac offers custom product design and engineering too!

CONNOMAC engineers and designers will collaborate closely with you to meet your needs and in a short time can go from concept to manufactured and tested connectors that maximize productivity, enhance safety, and deliver cost savings.

TABLE OF CONTENTS

Pages 1-2	Introduction
Pages 3-5	Round Connectors
Pages 6-10	Oval Connectors
Page 11	Conno-Change II
Page 12	Shrouded Connectors
Page 13	Temporary Light Cords
Page 14	9 Series and 15 Series Conno-Lock™ Connectors
Pages 15-16	16 Series Conno-Lock™ Taper Nose Connectors
Pages 17-18	18 Series Conno-Lock™ Ball Nose Connectors

All dimensions shown in this catalog are English units (inches and feet)



ROUND CONNECTORS - 600 VOLTS

- Quick disconnect capability
- 1, 2, 3, 4, 5, 6 and 8 pole available
- Available with or without polarization
- 13 to 315 ampacity
- 16", 24", and 28" stock assembly lengths
- Optional safety chain assembly
- Custom lengths available
- Matching receptacles available with protective cap

SINGLE POLE CONNECTORS

Electrical Data			Description		Dimensions (Approximate Inches)			Assembly Length	Male Without Chain	Female Without Chain	Male With Chain	Female With Chain
AMG	Type	Amps	Polarized By	Type of Seal	A	B	C					
10	S0	30	Not Pol.	Short Female Shroud	7/8	2	2	16"	5654	5653	5656	5655
8	W	60	Not Pol.	Short Female Shroud	1	3-7/32	3-7/32	16"	5300	5301	5302	5303
6	W	85	Not Pol.	Short Female Shroud	1	3-5/8	3-5/8	16"	5304	5305	5306	5307
2	W	130	Not Pol.	Short Female Shroud	1-1/4	5	5-11/16	24"	5308	5309	5310	5311
2	W	150	Not Pol.	Short Female Shroud	1-1/4	5-15/32	5-15/32	24"	5312	5313	5314	5315
1	W	170	Not Pol.	Short Female Shroud	1-5/8	5-5/16	6-3/4	24"	5678	5679	5682	5683
2/0	W	235	Not Pol.	Short Male Shroud	1-5/8	5-5/16	6-3/4	24"	5316	5317	5318	5319
4/0	W	315	Not Pol.	Short Female Shroud	1-7/8	5-5/8	8	24"	5320	5321	5322	5323

5000 VOLTS

3	5000 Volt	130	Not Pol.	Short Female Shroud	1-1/4	5	5-11/16	24"	5712	5711	None	None
2	5000 Volt	150	Not Pol.	Short Female Shroud	1-5/8	5-7/16	6-5/8	24"	5324	5325	None	None
2/0	5000 Volt	235	Not Pol.	Short Female Shroud	1-7/8	5-9/32	6-7/8	24"	6000	6001	None	None

MINE LOCOMOTIVE CONNECTORS - 600 VOLT

2/0	W	235	Not Pol.	Short Female Shroud	2-3/4	7-1/2	7-1/2	24"	5316L	5317L	Mounting Bracket LB5320L	Clamp LB5320A
4/0	W	315	Not Pol.	Short Female Shroud	2-3/4	7-1/2	7-1/2	24"	5320L	5321L	LB5320L	LB5320A





ROUND CONNECTORS - 600 VOLTS

- Quick disconnect capability
- 1, 2, 3, 4, 5, 6 and 8 pole available
- Available with or without polarization
- 13 to 315 ampacity
- 16", 24", and 28" stock assembly lengths
- Optional safety chain assembly
- Custom lengths available
- Matching receptacles available with protective cap

See Receptacle Chart Page 7	Electrical Data			Description		Dimensions (Approximate Inches)			Assembly Length	Male Without Chain	Female Without Chain	Male With Chain	Female With Chain
	AMG	Type	Amps	Polarized By	Type of Seal	A	B	C					
TWO POLE													
	16	S0	13	Pin Size	Full Male Shroud	13/16	1-3/4	1-1/16	28"	5796	5797		
	14	S0	18	Not Pol.	Short Female Shroud	1	2-3/16	2-3/16	28"	5632	5631		
	14	S0	18	Pin Size	Short Female Shroud	1	2-3/16	2-3/16	28"	5714	5713		
THREE POLE													
	12	S0	15	Parallel U(Gnd)	Short Female Shroud	1-3/8	2-1/4		28"	5734	5735		
FOUR POLE													
	18	S0	6	Pin Size	Short Female Shroud	7/8	2	2	28"	5666	5667		
	12	S0	16	Central Key	Full Male Shroud	1-5/8	2-3/4	1-3/4	28"	5776	5775		
	12	S0	16	Pin Size	Short Female Shroud	1-3/4	3	2	28"	5671	5670		
	10	S0	30	Central Key	Full Male Shroud	1-3/4	3	2	28"	5790	5791		
	8	W	45	Central Key	Short Male Shroud	2-3/8	4-1/2	2	28"	5668	5669	5764	5763
①	8	W	45	Central Key	Full Male Shroud	2-3/8	5-3/4	2-1/4	28"	5772	5773		
FIVE POLE													
②	14	S0	12	Pin Size	Full Male Shroud	1-7/16	2-1/4	1-5/8	28"	5718	5719		
③	14	S0	12	Central Key	Full Male Shroud	1-5/8	2	2-7/8	28"	5788	5789		
SIX POLE													
	8	S0	25	Central Key	Short Female Shroud	2-3/8	3-3/4	3	28"	5760	5759	5762	5761
EIGHT POLE													
	12	S0	14	Central Key	Short Female Shroud	2-3/8	4-1/2	2	28"	5784	5783		
	10	S0	21	Central Key	Short Female Shroud	2-3/8	4-1/2	2	28"	5778	5777		

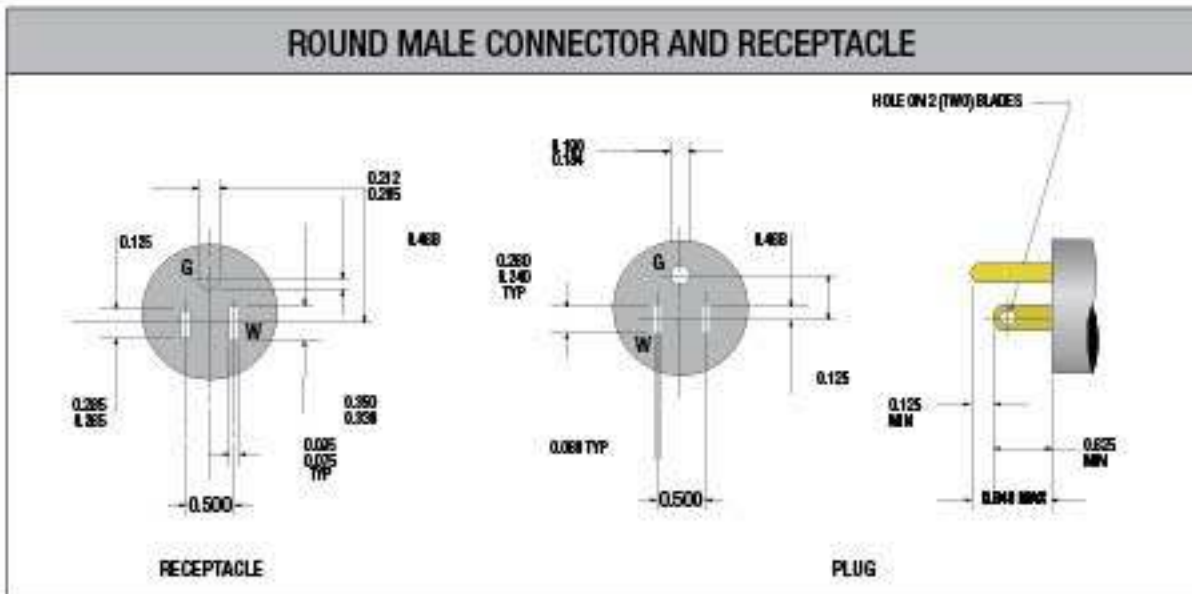
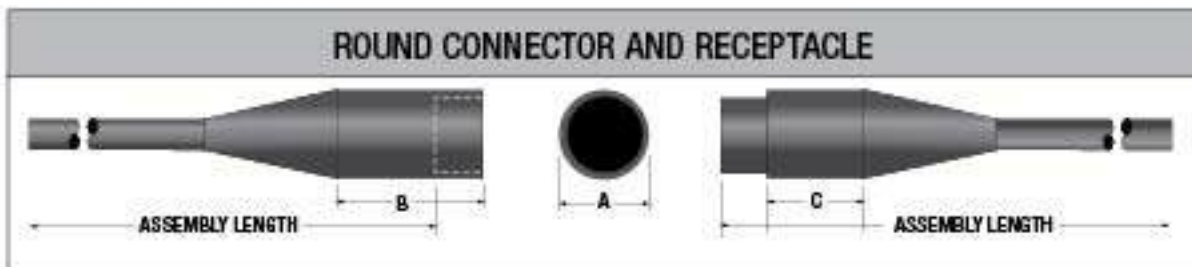


Click Here for Quote!

ROUND CONNECTORS - 600 VOLTS

- Quick disconnect capability
- 1, 2, 3, 4, 5, 6 and 8 pole available
- Available with or without polarization
- 13 to 315 ampacity
- 16", 24", and 28" stock assembly lengths
- Optional safety chain assembly
- Custom lengths available
- Matching receptacles available with protective cap

See Connector Chart Page 4	Male Insert	Female Insert	Assembly Length	Mounting Shell Without Cover	Mounting Shell With Cover	Dimensions (Approximate Inches)		
						A	B	C
①	5668-SI	5669-SI	16"	MS-5668		2-3/8	3-1/4	3-1/4
②	5718-SI	5719-SI	16"		MS-5718-C	1-1/4	2	2
③	5788-SI	5789-SI	16"	MS-5788		1-3/4	2-1/2	2-1/4





OVAL CONNECTORS - 600 VOLTS

- Available with or without polarization
- Flat mating assembly
- Custom lengths available
- 18 to 200 ampacity – 600V
- 16" and 24" stock assembly lengths
- Matching receptacles available
- Optional safety chain assembly

TWO POLE CONNECTORS

See 2 Pole Receptacle Chart Page 3*	Electrical Data			Description		Dimensions (Approximate Inches)				Assembly Length	Male Without Chain	Female Without Chain	Male With Chain	Female With Chain
	AWG	Type	Amps	Polarized By	Type of Seal	A	B	C	D					
①	14	SO	18	Not Pol.	Short Male Shroud	7/8	1-3/4	2-3/4	2-3/4	16"	5634	5633	5680	5681
②	14	SO	18	Pin Size	Short Male Shroud	7/8	1-3/4	2-3/4	2-3/4	16"	5684	5685	5686	5687
③	12	SO	25	Pin Size	Short Male Shroud	15/16	2-3/32	3	3	16"	5674	5675	5688	5689
④	10	SO	30	Not Pol.	Short Male Shroud	15/16	2-3/32	3	3	16"	5658	5657	5660	5659
⑤	10	SO	30	Pin Size	Short Male Shroud	15/16	2-3/32	3	3	16"	5646	5645	5648	5647
⑥	8	W	50	Pin Size	Short Male Shroud	1-9/32	2-9/16	5	5	24"	5332	5333	5334	5335
⑦	6	W	65	Not Pol.	Short Male Shroud	1-9/32	2-9/16	5	5	24"	5364	5365	5366	5367
	6	W	65	Not Pol.	Short Female Shroud	1-9/32	2-9/16	5	5	24"	5384	5385	5386	5387
	6	W	65	Pin Size	Short Male Shroud	1-9/32	2-9/16	5	5	24"	5336	5337	5338	5339
⑧	2†	W	105	Not Pol.	Short Male Shroud	1-9/32	2-1/16	5	5	24"	5368	5369	5370	5371
	2†	W	105	Not Pol.	Short Female Shroud	1-3/8	2-13/16	6	6	24"	5388	5389	5390	5391
⑩	2†	W	120	Not Pol.	Short Male Shroud	1-3/8	2-13/16	6	6	24"	5372	5373	5374	5375
	2†	W	120	Not Pol.	Short Female Shroud	1-3/8	2-13/16	6	6	24"	5372-RS	5373-RS	5374-RS	5375-RS
⑪	2†	W	120	Pin Size	Short Male Shroud	1-3/8	2-13/16	6	6	24"	5344	5345	5346	5347
⑫	1‡	PD	140	Pin Size	Short Male Shroud	1-3/8	2-13/16	6	6	24"	5348	5349	5350	5351
⑬	1‡	PD	140	Not Pol.	Short Male Shroud	1-3/8	2-13/16	6	6	24"	5376	5377	5378	5379
⑭	1/0‡	PD	200	Pin Size	Short Male Shroud	1-3/8	2-13/16	6	6	24"	5352	5353	5354	5355
⑮	1/0‡	PD	200	Not Pol.	Short Male Shroud	1-3/8	2-13/16	6	6	24"	5380	5381	5382	5383

*Receptacles available only in numbered connector columns. Check corresponding number in receptacle chart.
 † Can be furnished with either round or parallel duplex cable. When ordering, please specify type desired.
 ‡ Furnished on parallel duplex cable only.



Click Here for Quote!

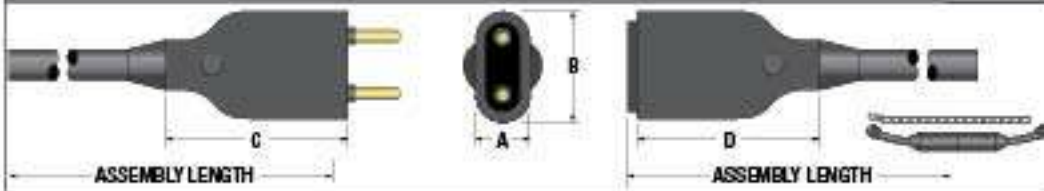
OVAL CONNECTORS - 600 VOLTS

- Available with or without polarization
- Flat mating assembly
- Custom lengths available
- 18 to 200 ampacity – 600V
- 16" and 24" stock assembly lengths
- Matching receptacles available
- Optional safety chain assembly

TWO POLE RECEPTACLES

See 2 Pole Connector Chart Page 7	Male Insert (Pigtail Only)	Female Insert (Pigtail Only)	Assy. Length	Mounting Shell With Cover	Mounting Shell Without Cover	Dimensions (Approximate Inches)					
						A	B	C	D	E	F
①	5634-SI	5633-SI	14"	—	MS5634	15/16	1-13/16	1-5/8	3	3-5/8	9/32
②	5684-SI	5685-SI	14"	—	MS5634	15/16	1-13/16	1-5/8	3	3-5/8	9/32
③	5674-SI	5675-SI	14"	—	MS5658	1-1/16	2-1/8	1-7/8	3-3/8	4-1/8	9/32
④	5658-SI	5657-SI	14"	—	MS5658	1-1/16	2-1/8	1-7/8	3-3/8	4-1/8	9/32
⑤	5646-SI	5645-SI	14"	—	MS5658	1-1/16	2-1/8	1-7/8	3-3/8	4-1/8	9/32
⑥	5332-SI	5333-SI	14"	—	MS5364	1-3/16	2-1/2	1-13/16	3-7/8	4-5/8	3/8
⑦	5364-SI	5365-SI	18"	—	MS5364	1-3/16	2-1/2	1-13/16	3-7/8	4-5/8	3/8
⑧	5368-SI	5369-SI	20"	—	MS5368	1-5/16	2-11/16	2	4-1/8	5	7/16
⑨	5340-SI	5341-SI	20"	—	MS5368	1-5/16	2-11/16	2	4-1/8	5	7/16
⑩	5372-SI	5373-SI	20"	—	MS5372	1-7/16	2-7/8	2-3/8	5	6	15/32
⑪	5344-SI	5345-SI	20"	—	MS5372	1-7/16	2-7/8	2-3/8	5	6	15/32
⑫	5348-SI	5349-SI	20"	—	MS5372	1-7/16	2-7/8	2-3/8	5	6	15/32
⑬	5376-SI	5377-SI	20"	—	MS5372	1-7/16	2-7/8	2-3/8	5	6	15/32
⑭	5352-SI	5353-SI	20"	—	MS5372	1-7/16	2-7/8	2-3/8	5	6	15/32
⑮	5380-SI	5381-SI	20"	—	MS5372	1-7/16	2-7/8	2-3/8	5	6	15/32

2 POLE OVAL CONNECTOR



2 POLE MOUNTING SHELL





Click Here for Quote!

OVAL CONNECTORS - 600 VOLTS

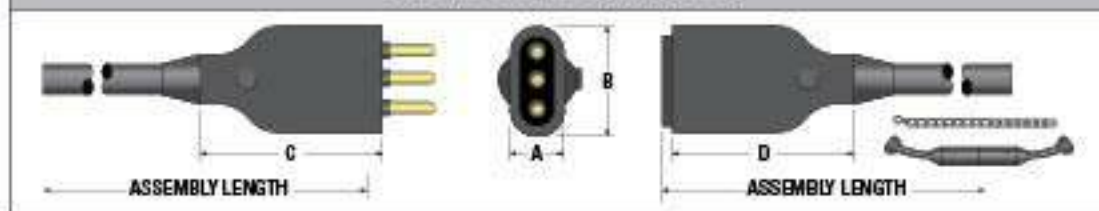
- Available with or without polarization
- Flat mating assembly
- Custom lengths available
- 18 to 200 ampacity – 600V
- 16" and 24" stock assembly lengths
- Matching receptacles available
- Optional safety chain assembly

THREE POLE CONNECTORS

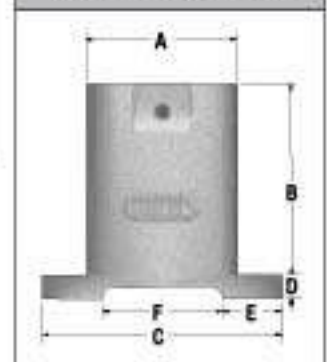
See 3 Pole Receptacle Chart Page 7*	Electrical Data			Description		Dimensions (Approximate Inches)				Assembly Length	Male Without Chain	Female Without Chain	Male With Chain	Female With Chain
	AWG	Type	Amps	Polarized By	Type of Seal	A	B	C	D					
	14	SO	15	Not Pol.	Short Male Shroud	7/8	1-3/4	2-3/4	2-3/4	16"	5392	5393	5394	5395
	14	SO	15	Pin Size	Short Male Shroud	7/8	1-3/4	2-3/4	2-3/4	16"	5412	5413	5414	5415
	12	SO	20	Pin Size	Short Male Shroud	1	2-11/16	3-3/4	3-3/4	16"	5416	5417	5418	5419
	10	SO	25	Not Pol.	Short Male Shroud	1	2-11/16	3-3/4	3-3/4	16"	5400	5401	5402	5403
	10	SO	25	Pin Size	Short Male Shroud	1	2-11/16	3-3/4	3-3/4	16"	5420	5421	5422	5423
	8	W	50	Pin Size	Short Male Shroud	1-1/8	3-1/16	6	6	16"	5424	5425	5426	5427
	6	W	65	Not Pol.	Short Male Shroud	1-1/8	3-1/16	6	6	24"	5408	5409	5410	5411
	6	W	65	Pin Size	Short Male Shroud	1-1/4	3-7/16	7	7	24"	5428	5429	5430	5431
	3	W	100	Not Pol.	Short Male Shroud	1-1/4	3-7/16	7	7	24"	5710	5715	5716	5717
	2	W	115	Not Pol.	Short Male Shroud	1-1/2	4-3/4	7	7	24"	5704	5705	5706	5707

*Receptacles available only in numbered connector columns. Check corresponding number in receptacle chart.

3 POLE OVAL CONNECTOR



3 POLE MOUNTING SHELL





Click Here for Quote!

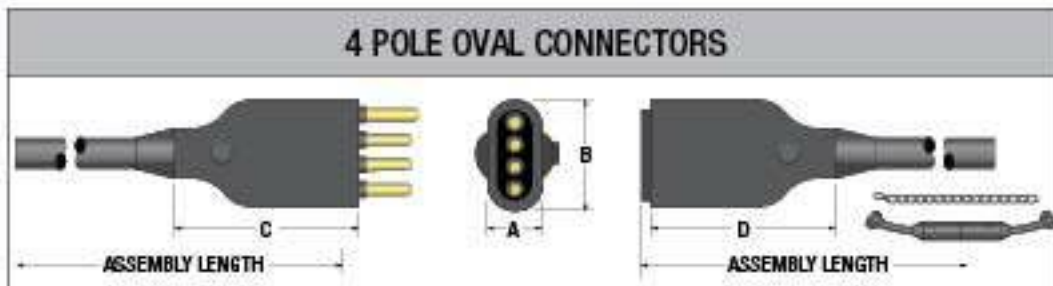
OVAL CONNECTORS - 600 VOLTS

- Available with or without polarization
- Flat mating assembly
- Custom lengths available
- 18 to 200 ampacity – 600V
- 16" and 24" stock assembly lengths
- Matching receptacles available
- Optional safety chain assembly

FOUR POLE CONNECTORS

See 4 Pole Receptacle Chart* Page 10	Electrical Data			Description		Dimensions (Approximate Inches)				Assy. Length	Male Without Chain	Female Without Chain	Male With Chain	Female With Chain
	AWG	Type	Amps	Polarized By	Type of Seal	A	B	C	D					
	14	SO	12	Pin Arrangement	Short Female Shroud	1	2-11/16	3-3/4	3-3/4	16"	5700	5701	5702	5703
	10	SO	20	Pin Size	Short Male Shroud	1-1/8	3-11/16	5	5	24"	5444	5445	5446	5447
	10	SO	20	Pin Size	Short Female Shroud	1-1/8	3-11/16	5	5	24"	5444-RS	5445-RS	5446-RS	5447-RS
	10	SO	20	Rev. Pin	Short Male Shroud	1-1/8	3-11/16	5	5	24"	5472	5473	5474	5475
	10	SO	20	Rev. Pin	Short Female Shroud	1-1/8	3-11/16	5	5	24"	5642	5641	5644	5643
	10	SO	20	Pin Size	Full Female Shroud	1-1/4	4-1/8	5-11/16	5-11/16	28"	5724	5725	5726	5727
	8	W	45	Pin Size	Short Female Shroud	1-1/8	3-11/16	5	5	24"	5448-RS	5449-RS	5450-RS	5451-RS
	8	W	45	Pin Size	Short Male Shroud	1-1/8	3-11/16	5	5	24"	5448	5449	5450	5451
	6	W	65	Pin Size	Full Female Shroud	1-1/4	4-1/8	5-11/16	5-11/16	30"	5728	5729	5730	5731
	6	W	65	Rev. Pin	Short Male Shroud	1-1/4	4-1/8	5-11/16	5-11/16	30"	5484	5485	5486	5487
	2	W	100	Pin Size	Short Male Shroud	1-1/2	4-3/4	6-7/8	6-7/8	30"	5464	5465	5466	5467
	2	W	100	Pin Size	Full Male Shroud	1-1/2	4-3/4	6-7/8	6-7/8	30"	5624	5623	5626	5625

*Receptacles available only in numbered connector columns. Check corresponding number in receptacle chart.





OVAL CONNECTORS - 600 VOLTS

- Available with or without polarization
- Flat mating assembly
- Custom lengths available
- 18 to 200 ampacity – 600V
- 16" and 24" stock assembly lengths
- Matching receptacles available
- Optional safety chain assembly

THREE AND FOUR POLE RECEPTACLES

Poles	Male Insert	Female Insert	Assy. Length	Mounting Shell With Cover	Mounting Shell Without Cover	Dimensions (Approximate Inches)					
						A	B	C	D	E	F
3	5412-SI	5413-SI	20*	—	MS-5658	2-5/8	2-3/4	4-3/8	7/16	3/4	2-7/8
3	5424-SI	5425-SI	20*	—	MS-5424	3-5/8	3-3/4	5-1/4	1/2	1-3/8	3-5/8
4	5456-SI	5457-SI	20*	MS-5456C	MS-5456	4-3/4	4-5/8	7-1/4	1/2	1-7/8	3-7/8
4	5484-SI	5485-SI	20*	MS-5456C	MS-5456	4-3/4	4-5/8	7-1/4	1/2	1-7/8	3-7/8
4	5464-SI	5465-SI	25*	MS-5464C	MS-5464	5-1/2	4-5/8	8-1/4	9/16	1-7/16	3-7/8

4 POLE MOUNTING SHELL



FIVE POLE CONNECTOR

Electrical Data			Description		Dimensions (Approximate Inches)				Assy. Length	Male Without Chain	Female Without Chain	Male With Chain	Female With Chain
AWG	Type	Amps	Polarized By	Type of Seal	A	B	C	D					
8*	S0	45	Pin Arrangement	Full Female Shroud	1-1/2	4-3/16	5	6-1/2	30"	5628	5627	5630	5629

*Can be furnished on #10-5/c SO.

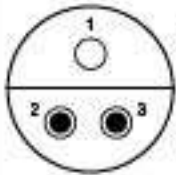
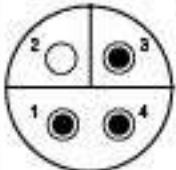
5 POLE OVAL CONNECTOR



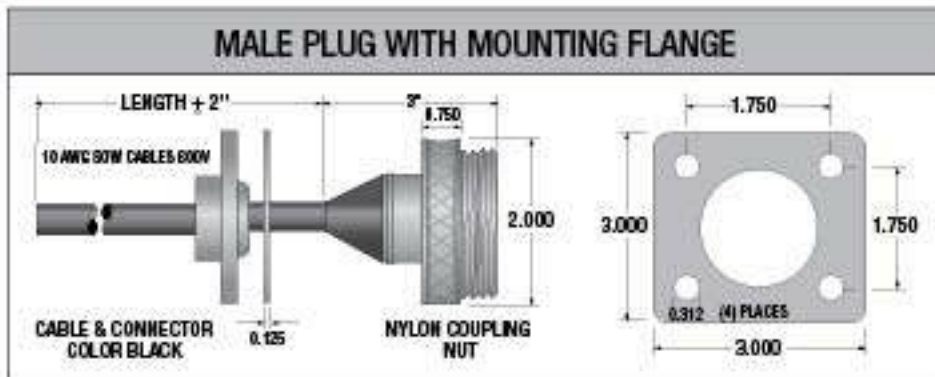
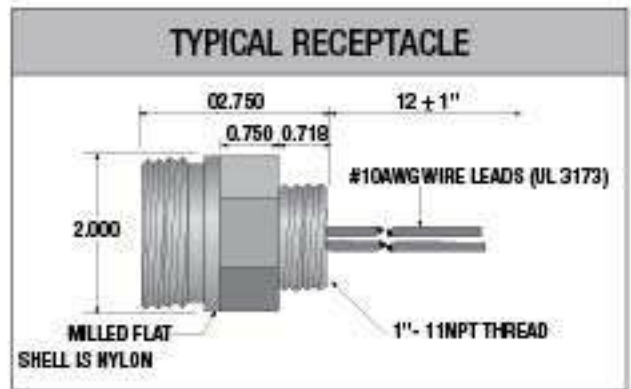
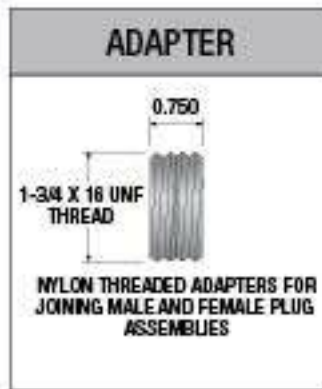
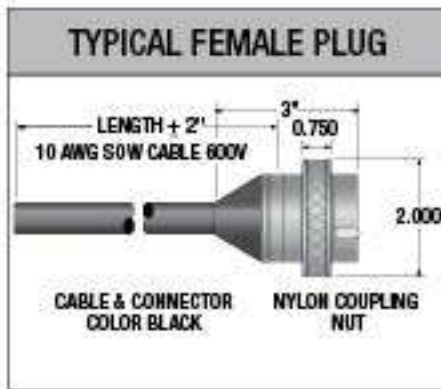


CONNO-CHANGE II

- Quick change flexibility with ampacity of oval connectors
- Connector molded to cable forming one-piece construction
- Heavy-duty neoprene (SOOW) cable for indoor and outdoor use
- Positive keying prevents any mismatched engagement
- Sealed areas make the connection dust and water tight
- Nylon couplers and shells are non-corrosive, non conductive
- Positive grounding
- Mounting flange recommended for run-out table motors, etc.

No. Poles	Amps	Wiring Code Face View of Male	Length (Feet)*	Plugs Female P/N	Plugs Male P/N	Male Plug W/Flange Mt.	Plugs Male P/N	Plugs Female P/N
3	30	 <p>1. Green 2. Black 3. White</p>	3	3410-3FC	3410-3MC	3410-3MCFL	3410-1MR	3410-1FR
			6	3410-6FC	3410-6MC	3410-6MCFL		
			12	3410-12FC	3410-12MC	3410-12MCFL		
4	25	 <p>1. Black 2. Green 3. White 4. White</p>	3	4410-3FC	4410-3MC	4410-3MCFL	4410-1MR	4410-1FR
			6	4410-6-FC	4410-6MC	4410-6MCFL		
			12	4410-12FC	4410-12MC	4410-12MCFL		

*Other lengths available upon request.





Click Here for Quote!

SHROUDED 120 VOLT CONNECTORS

- Safe, secure, durable
- Ruggedized like 120V should be
- No contacts exposed
- No accidental disruption of power or continuity
- P 68 & IP 69K rated for dust and water proofing
- Fully molded neoprene and fully shrouded
- Available in 14/3, 12/3 and 10/3 SOOW cable
- Optional dust cap and lock pin with chain available

Description	Catalog Number
Male Fully Molded and Shrouded	
14/3 SOOW, 18 AMPS, 30**	5820*
12/3 SOOW, 25 AMPS, 30**	5822*
10/3 SOOW, 30 AMPS, 30**	5824*
Dust Cap	5821-DC

*Cable Length

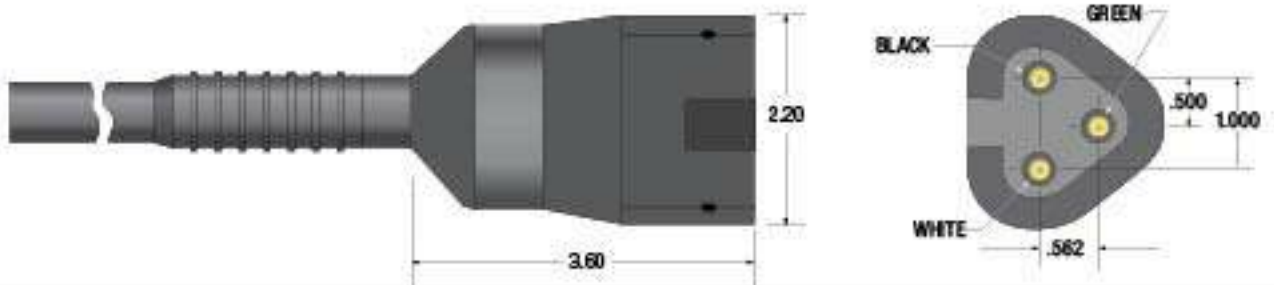
Description	Catalog Number
Female Fully Molded and Shrouded	
14/3 SOOW, 18 AMPS, 30*	5821*
12/3 SOOW, 25 AMPS, 30*	5823*
10/3 SOOW, 30 AMPS, 30*	5825*
Locking Pin & Chain	-

* Or Whatever Length is Needed

120 V SHROUDED MALE PLUG



120 V SHROUDED FEMALE PLUG



LOCKING PIN AND CHAIN



DUST COVER

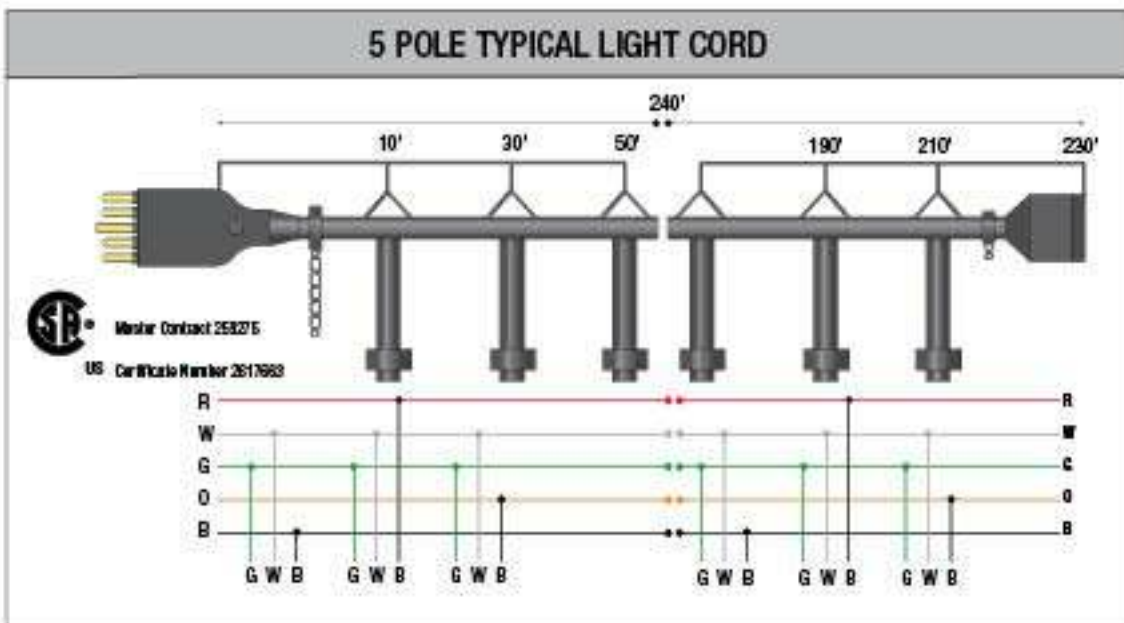
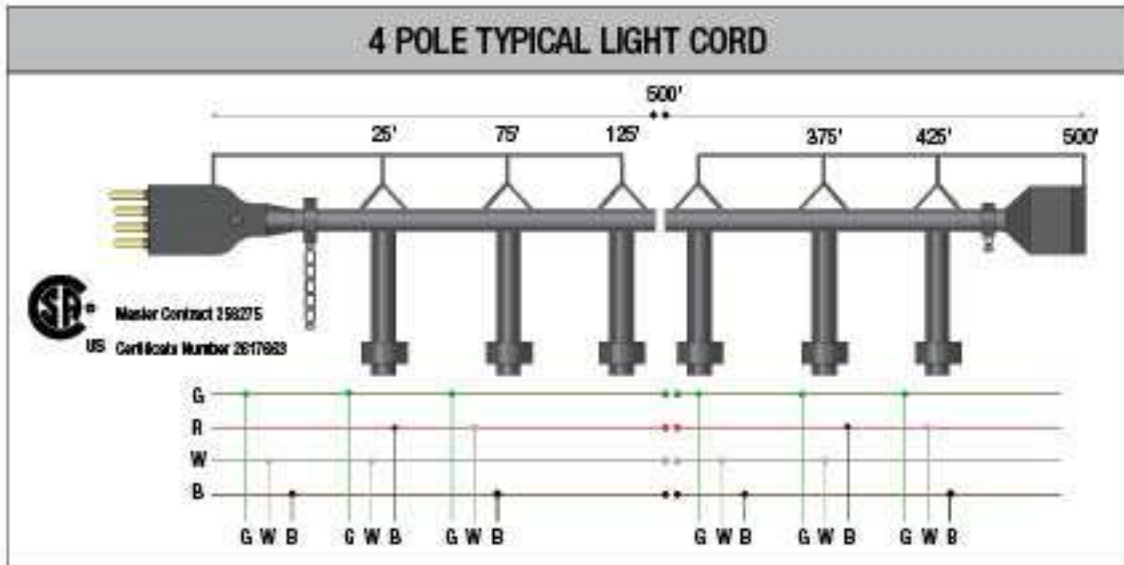




Click Here for Quote!

LIGHT CORDS & CONNO-CHANGE DROPS

- Connector molded to cable forming one-piece construction
- Space out lights or drops based on conditions
- Custom made to your specifications
- Available with Conno-Change quick-connect drops
- 3, 4 and 5-pole polarized mating end connectors
- 120V, 240V, 277V and 480V systems available
- #14 through #2 cable available





Click Here for Quote!

9 & 15 SERIES CONNO-LOCK™ CONNECTORS

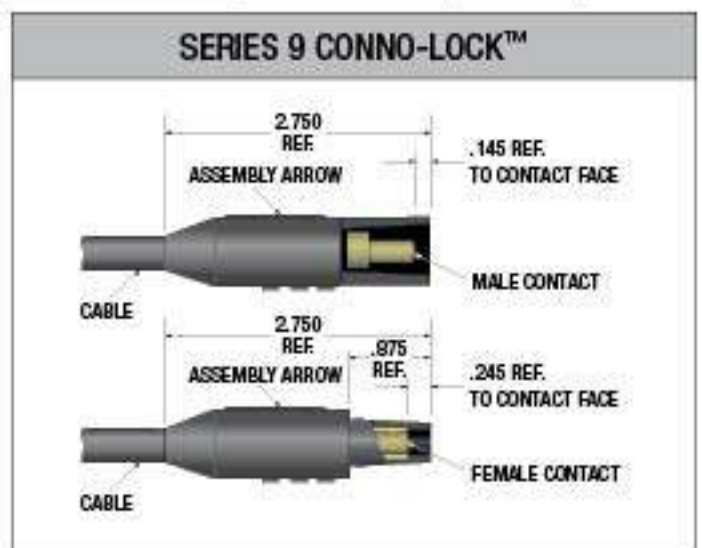
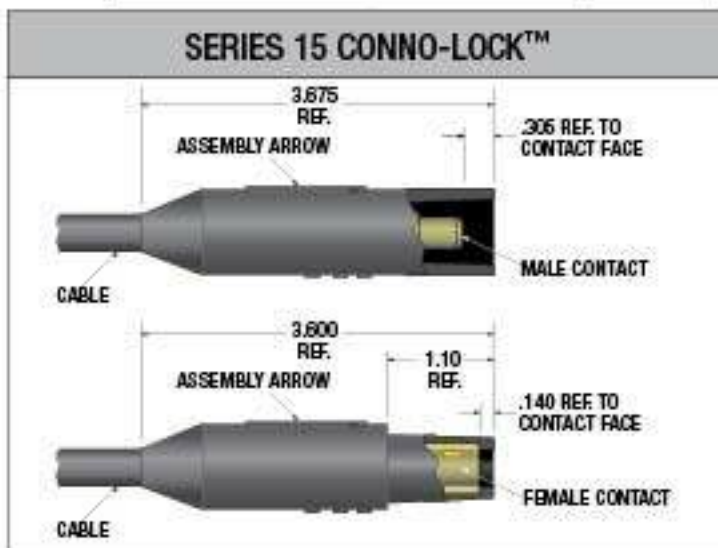
- No assembly required
- 90° turn cam locking connection
- Up to 100A / 600V
- 16" & 24" stock assembly lengths
- Safe, secure and durable, fully molded neoprene
- IP 68 and IP 69K rated for dust and waterproofing
- Standard and custom lengths available
- Available in #6, #8 and #10 cable
- Available in 8 colors
- Extension cords available

15 SERIES CONNO-LOCK™ MALE		
Description	Catalog Number	Color
Series 15 (Tapered) Male Fully Molded Connector Cable Size: #6 (Also available in #8 and #10).	15MT-6E*	Black
	15MT-6W*	White
	15MT-6R*	Red
	15MT-6G*	Green
	15MT-6O*	Orange
	15MT-6B*	Blue
	15MT-6H*	Brown
	15MT-6Y*	Yellow

9 SERIES CONNO-LOCK™ MALE		
Description	Catalog Number	Color
Series 9 (Tapered) Male Fully Molded Connector Cable Size: #6 (Also available in #8 and #10).	9MT-6E*	Black
	9MT-6W*	White
	9MT-6R*	Red
	9MT-6G*	Green
	9MT-6O*	Orange
	9MT-6B*	Blue
	9MT-6H*	Brown
	9MT-6Y*	Yellow

15 SERIES CONNO-LOCK™ FEMALE		
Description	Catalog Number	Color
Series 15 (Tapered) Female Fully Molded Connector Cable Size: #6 (Also available in #8 and #10).	15FT-6E*	Black
	15FT-6W*	White
	15FT-6R*	Red
	15FT-6G*	Green
	15FT-6O*	Orange
	15FT-6B*	Blue
	15FT-6H*	Brown
	15FT-6Y*	Yellow

9 SERIES CONNO-LOCK™ FEMALE		
Description	Catalog Number	Color
Series 9 (Tapered) Female Fully Molded Connector Cable Size: #6 (Also available in #8 and #10).	9FT-6E*	Black
	9FT-6W*	White
	9FT-6R*	Red
	9FT-6G*	Green
	9FT-6O*	Orange
	9FT-6B*	Blue
	9FT-6H*	Brown
	9FT-6Y*	Yellow



Available in these colors





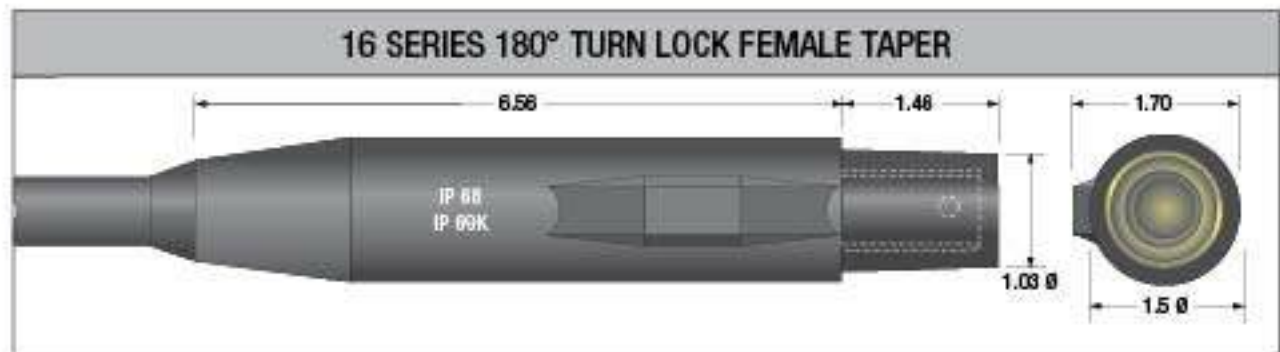
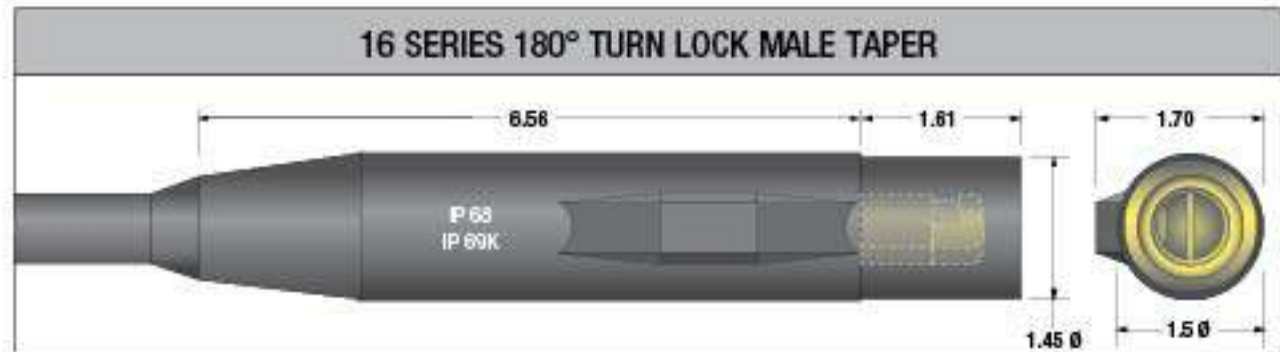
Click Here for Quote!

16 SERIES CONNO-LOCK™ TAPER NOSE CONNECTORS

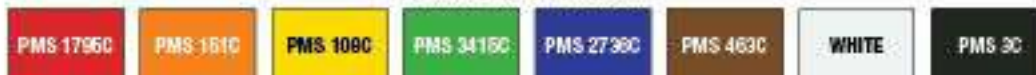
- No assembly required
- 180 degree turn cam locking connection
- Safe, secure and durable, fully molded neoprene
- Standard and custom lengths available
- IP 68 and IP 69K rated for dust and water proofing
- Up to 400A / 600v
- Available in 2/0 to 4/0 cable
- Available in 8 colors with matching gear mounts
- Extension cords available

16 SERIES CONNO-LOCK™ TAPER MALE		
TAPERED MALE FULLY MOLDED		
Catalog Number	Catalog Number	Color
2/0 CABLE	4/0 CABLE	
16MT-2/0E*	16MT-4/0E*	Black
16MT-2/0W*	16MT-4/0W*	White
16MT-2/0R*	16MT-4/0R*	Red
16MT-2/0G*	16MT-4/0G*	Green
16MT-2/0O*	16MT-4/0O*	Orange
16MT-2/0B*	16MT-4/0B*	Blue
16MT-2/0H*	16MT-4/0H*	Brown
16MT-2/0Y*	16MT-4/0Y*	Yellow

16 SERIES CONNO-LOCK™ TAPER FEMALE		
TAPERED FEMALE FULLY MOLDED		
Catalog Number	Catalog Number	Color
2/0 CABLE	4/0 CABLE	
16FT-2/0E*	16FT-4/0E*	Black
16FT-2/0W*	16FT-4/0W*	White
16FT-2/0R*	16FT-4/0R*	Red
16FT-2/0G*	16FT-4/0G*	Green
16FT-2/0O*	16FT-4/0O*	Orange
16FT-2/0B*	16FT-4/0B*	Blue
16FT-2/0H*	16FT-4/0H*	Brown
16FT-2/0Y*	16FT-4/0Y*	Yellow



Available in these colors



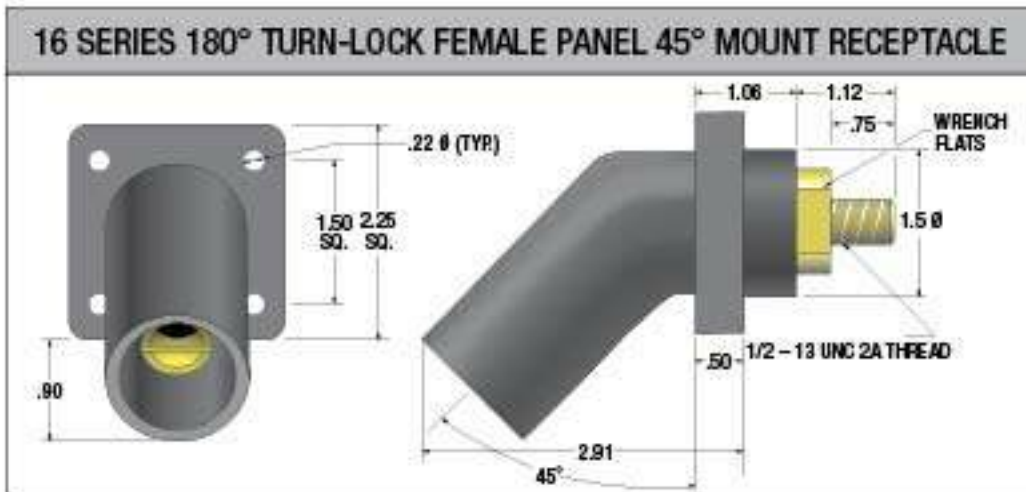
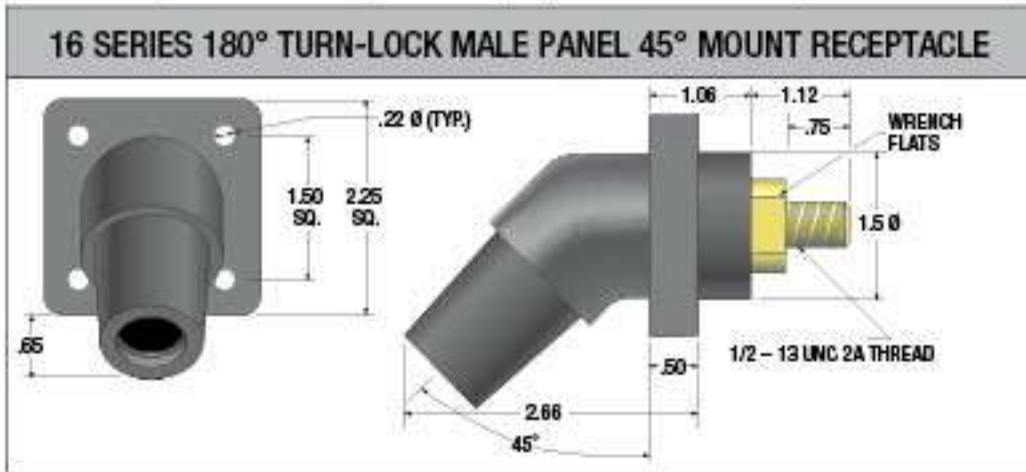


16 SERIES CONNO-LOCK™ TAPER NOSE RECEPTACLES

- No assembly required
- 180 degree turn cam locking connection
- Safe, secure and durable, fully molded neoprene
- Standard and custom lengths available
- IP 68 and IP 69K rated for dust and water proofing
- Up to 400A / 600v
- Available in 2/0 to 4/0 cable
- Available in 8 colors with matching gear mounts
- Extension cords available

16 SERIES 180° TURN-LOCK MALE PANEL 45° MOUNT RECEPTACLE		
Description	Catalog Number	Color
16 Series (Tapered) Male Receptacle	16MT-MR/E*	Black
	16MT-MR/W*	White
	16MT-MR/R*	Red
	16MT-MR/G*	Green
	16MT-MR/O*	Orange
	16MT-MR/B*	Blue
	16MT-MR/H*	Brown
	16MT-MR/Y*	Yellow

16 SERIES 180° TURN-LOCK FEMALE PANEL 45° MOUNT RECEPTACLE		
Description	Catalog Number	Color
16 Series (Tapered) Female Receptacle	16FT-FR/E*	Black
	16FT-FR/W*	White
	16FT-FR/R*	Red
	16FT-FR/G*	Green
	16FT-FR/O*	Orange
	16FT-FR/B*	Blue
	16FT-FR/H*	Brown
	16FT-FR/Y*	Yellow



Available in these colors





Click Here for Quote!

18 SERIES CONNO-LOCK™ BALL NOSE CONNECTORS

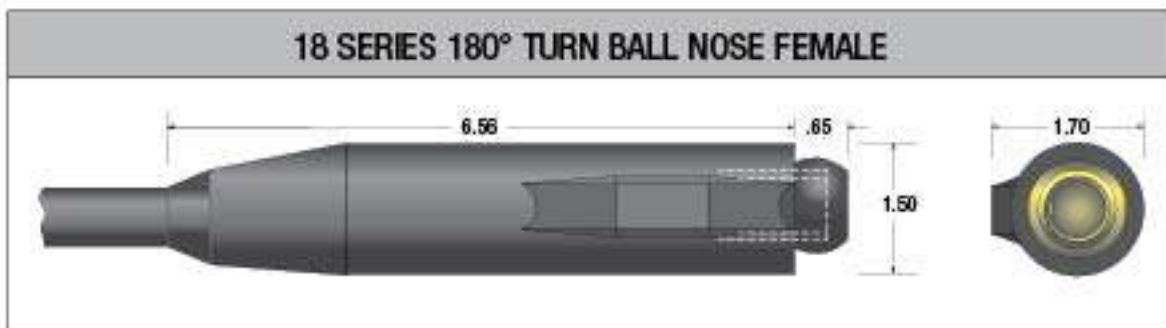
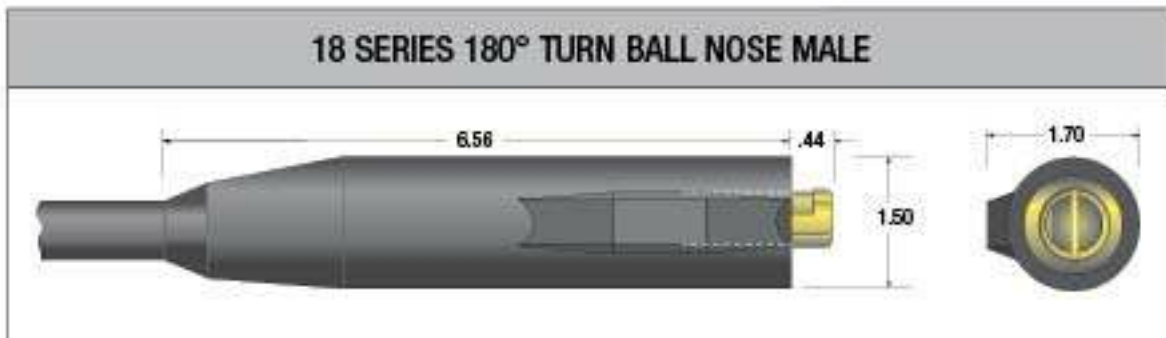
- No assembly required
- 180 degree turn cam locking connection
- Up to 400A / 600v
- Standard and custom lengths available
- IP 68 and IP 69K rated for dust and water proofing
- Safe, secure and durable, fully molded neoprene
- Available in 2/0 to 4/0 cable
- Available in 8 colors with matching gear mounts
- Extension cords available

18 SERIES CONNO-LOCK™ BALL NOSE MALE		
MALE FULLY MOLDED		
Catalog Number	Catalog Number	Color
2/0 CABLE	4/0 CABLE	
18MB-2/0E*	18MB-4/0E*	Black
18MB-2/0W*	18MB-4/0W*	White
18MB-2/0R*	18MB-4/0R*	Red
18MB-2/0G*	18MB-4/0G*	Green
18MB-2/0O*	18MB-4/0O*	Orange
18MB-2/0B*	18MB-4/0B*	Blue
18MB-2/0H*	18MB-4/0H*	Brown
18MB-2/0Y*	18MB-4/0Y*	Yellow

*Cable Length

18 SERIES CONNO-LOCK™ BALL NOSE FEMALE		
FEMALE FULLY MOLDED		
Catalog Number	Catalog Number	Color
2/0 CABLE	4/0 CABLE	
18FB-2/0E*	18FB-4/0E*	Black
18FB-2/0W*	18FB-4/0W*	White
18FB-2/0R*	18FB-4/0R*	Red
18FB-2/0G*	18FB-4/0G*	Green
18FB-2/0O*	18FB-4/0O*	Orange
18FB-2/0B*	18FB-4/0B*	Blue
18FB-2/0H*	18FB-4/0H*	Brown
18FB-2/0Y*	18FB-4/0Y*	Yellow

*Cable Length



Available in these colors



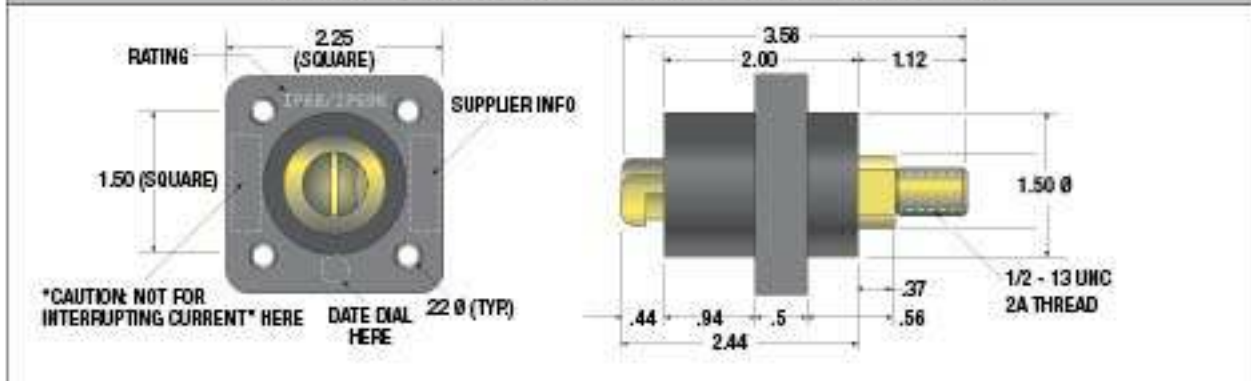
18 SERIES CONNO-LOCK™ BALL NOSE CONNECTORS

- ❑ No assembly required
 - ❑ 180 degree turn cam locking connection
 - ❑ Up to 400A / 600v
- ❑ Standard and custom lengths available
 - ❑ IP 68 and IP 69K rated for dust and water proofing
 - ❑ Safe, secure and durable, fully molded neoprene
- ❑ Available in 2/0 to 4/0 cable
 - ❑ Available in 8 colors with matching gear mounts
 - ❑ Extension cords available

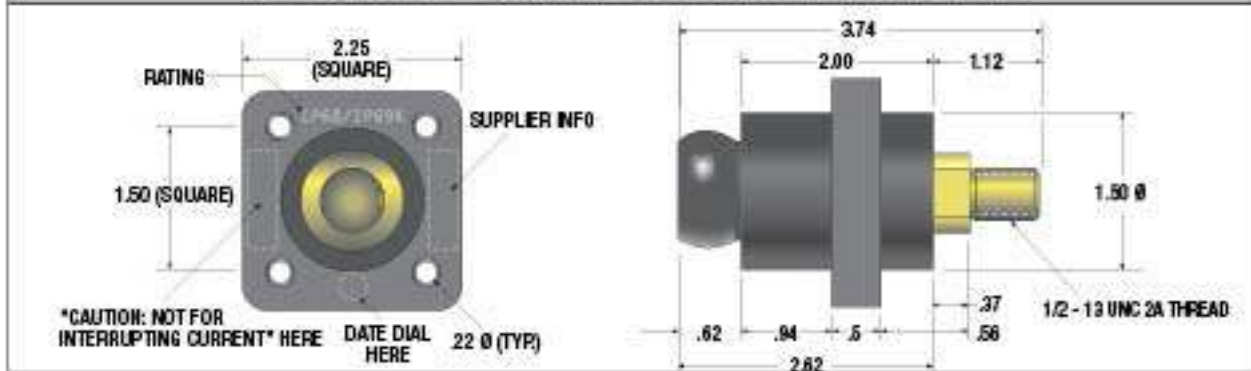
18 SERIES CONNO-LOCK™ MALE		
Description	Catalog Number	Color
18 Series (Ball Nose) Male Receptacle	18MB-MR/E*	Black
	18MB-MR/W*	White
	18MB-MR/R*	Red
	18MB-MR/G*	Green
	18MB-MR/O*	Orange
	18MB-MR/B*	Blue
	18MB-MR/H*	Brown
	18MB-MR/Y*	Yellow

18 SERIES CONNO-LOCK™ FEMALE		
Description	Catalog Number	Color
18 Series (Ball Nose) Female Receptacle	18FB-FR/E*	Black
	18FB-FR/W*	White
	18FB-FR/R*	Red
	18FB-FR/G*	Green
	18FB-FR/O*	Orange
	18FB-FR/B*	Blue
	18FB-FR/H*	Brown
	18FB-FR/Y*	Yellow

18 SERIES 180° TURN BALL NOSE MALE RECEPTACLE



18 SERIES 180° TURN BALL NOSE FEMALE RECEPTACLE



Available in these colors

